

Series 120

Modern lines and complete with rolling shutter



Piva 120 is a new modern profile for complete and wide range of PVC windows and patio doors with integrated roller shutter or roller insect screen. The guide of roller shutter is equipped with double brushes to reduce the noise when it is pulled down. The profile is adapted to combination use of both roller shutter and fixed insect screen. It allows many variables in terms of thickness and profile performance. Certifications and periodic tests on the quality of the Piva windows and patio doors are synonymous of quality and the highest level of performance. The many variations in style and design ensure a response and solutions to every requirement and need.

Series 120 integrated roller shutter

The new improvement of windows with integrated roller shutter allows to decrease a heat transfer coefficient to $U_w=1,0 \text{ W/m}^2\text{K}$.

This value was achieved by additional insulation of the casing:

- Two chambers of the casing both in contact with the frame and column profile was isolated by prefabricated insulation.
- The entrance of roller shutter into the casing was sealed with two brushes, which prevent to cooling the casing space.
- A triple glass with $U_g=0,6 \text{ W/m}^2\text{K}$ is used to support low heat flows.

Deep	U_w	Air Permeability	Water resistance	Wind resistance
100 mm	1.0* W/m^2	Class 3	E750/E1050	Class C3



DATASHEET

70 mm window section – Frame 100 mm

Tilt&Turn Window Available

Maximum glazing thickness 41 mm

Water Resistance E750/E1050

Acoustic performance up to 45 dB

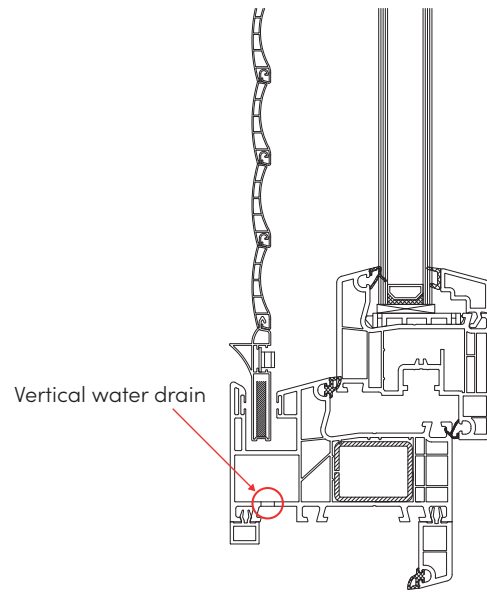
Standard: $U_w=1.5 \text{ W/m}^2\text{K}$ up to $U_w=1.2 \text{ W/m}^2\text{K}$

*With glass $U_g=0.7 \text{ W/m}^2\text{K}$ value with additionally insulated case up to $U_w=1.0 \text{ W/m}^2\text{K}$ using glass with $U_g=0.6 \text{ W/m}^2\text{K}$

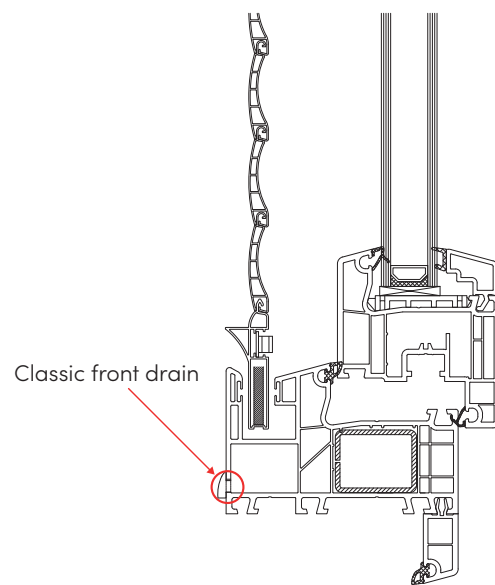
Acoustic performance up to 45 dB

Air Permeability Class 3

Wind resistance Class C3



Sill section type1



Sill section type2